

HYDR**MULIC**
Door a smart solution
Parkmatic
MORE PARKING IN LESS SPACE





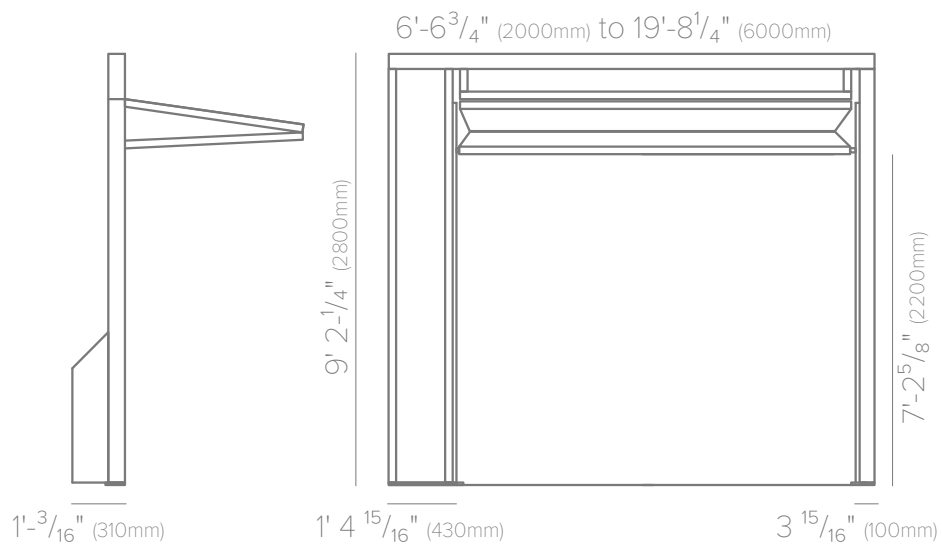
Our hydraulic door was created to provide access security to our car lifts, it is highly compatible with **Full vox®**, **vox evolution®** and **platform elevator®** products. The **Hydraulic door®** access system ensures the operation of the car lifts, completely reducing the risk of accidents

Access with
total security





2



Measurements

- Height of the External Mechanism of 9'-2¹/₄" (2800mm)
- Maximum Access in Free Door 7'-2⁵/₈" (2200mm)
- External Mechanism Width 1'-8⁷/₈" (530mm) Plus the Access Width
- Access Width From 6'-6³/₄" (2000mm) to 19'-8¹/₄" (6000mm)

Capacity

- Maximum Load Capacity for Finishes of 397 lbs (180 Kg)
- 2hp Motor
- Supply Voltage of 110 VAC. Neutral and Earth Ground
- Manual Closing in Case of Power Failure
- Remote Control Module for 100 Controls at a Maximum Distance of 65' 7 ³/₈" (20000mm)

3



Supports Materials
Up to 397 lbs



4 Attributes

- Remote Control Module for 100 Controls at a Maximum Distance of 65' 7 ³/₈" (20000mm) (Extra Component)
- 219,000 Duty Cycles.
- 200 Daily Cycles
- Super Speed of Operation 5 Sec. x 1m (**Twice That of a Conventional Electric Door**)
- Electrostatic Painting.
- Minimum Maintenance



Components

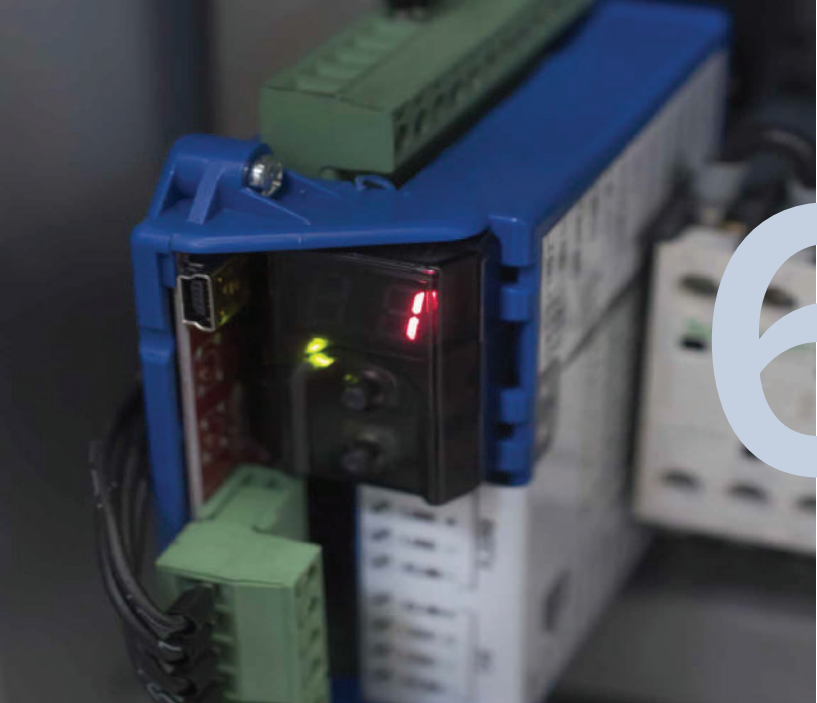
5



3 Years Warranty

Designed With High-quality Components, **Hydraulic Door®** Works Under the Highest Quality Standards in the Market, Resulting in Longer Product Life and Backed by Knowing That Like All **Parkmatic** Products It Has a Permanent Stock of Spare Parts Since We Are Manufacturers of Most of the Components of Our Equipment





6

2 Adjustable Pressed
Terminal Steel Cables

Synchronization of
Operation With Lift
Operation



Sensor Barrier in Ip
54 Access Frame

7

Extra Components

All Extra Components Are Listed Separately



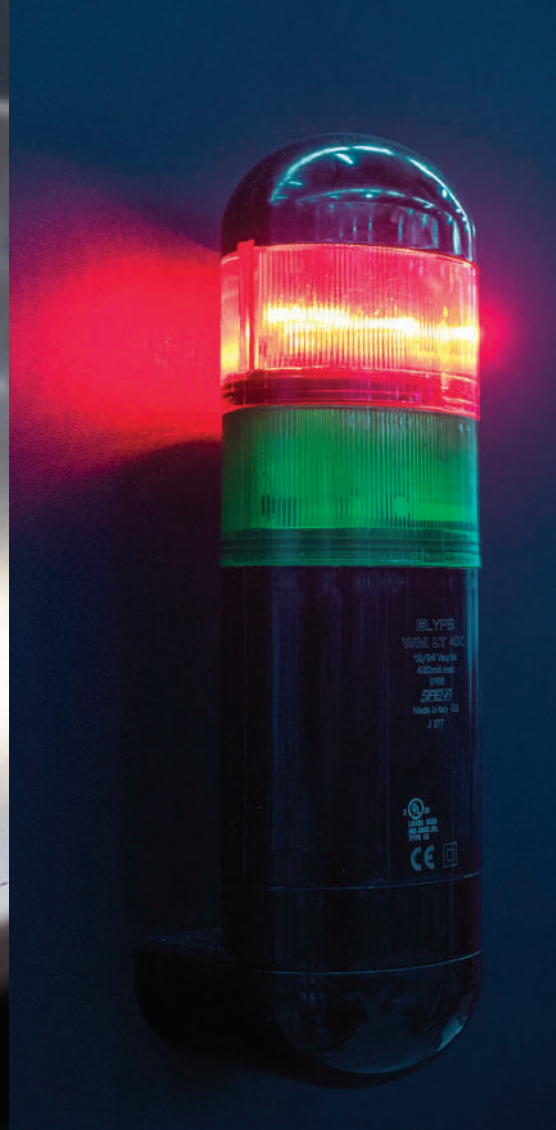
Magnetic Door Lock

Secures the Curtain Flush When It is Down



Manual Operation Keypad

With Led Indicator and Digital Display



Operation Traffic Light

Light Access Indicator

HYDRULIC
Door
Parkmatic
a smart solution
MORE PARKING IN LESS SPACE

8

Sensor Curtain

Infrared Sensors
Ensure Vehicle
Access





T: 800.422.5438 | O: 516.224.7700 | www.parkmatic.com

1129 Northern Blvd, Suite 404,
Manhasset, NY 11030